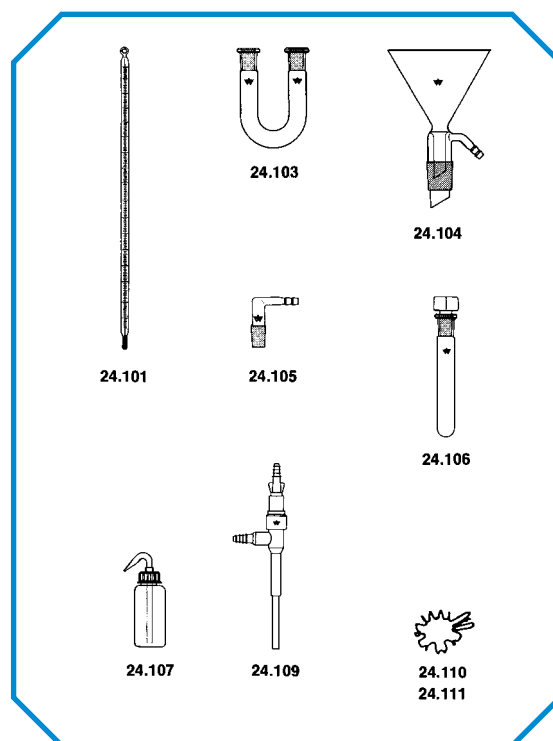


ST-Combi-Box "Makro" 24, packed in foam stuff bed with cardboard-box.

Type	
Complete	24.000
Spare parts:	
1 Thermometer, solid stem, -10 +360 °C: 1 °C	24.101
1 U-tube, 2 ST 14/23	24.103
1 Funnel with ST 29/32, 60 mm O. D., with vacuum connection and drip tip	24.104
2 Suction tube, bent, ST 14/23	24.105
2 Test tubes 17 x 130 mm, with hollow stopper ST 14/23	24.106
1 Wash bottle 100 ml, made of polyethylene	24.107
1 Filter pump with built-in valve, made of polyethylene	24.109
3 Clips for joints, ST 14/23	24.110
2 Clips for joints, ST 29/32	24.111



SVS-Boxes

SVS-Combi-Box.

The increasing importance of chemistry for the everyday-life has resulted in a considerable expansion of the chemistry lessons in all types of schools (secondary levels I+II) during the last 20 years. Thus the subject-matter has increased, so that it can only be mastered by means of well co-ordinated systems of instruction.

We believe that, with our SVS-combi-box, we have found an optimal solution for the instruction in chemistry and, according to the sales experience of the last years and the positiv echo of the teachers, we feel confirmed in our opinion. For the display of the apparatuses a handbook in form of a ring-book is available for the experimental instruction in chemistry.

Experimental book contains on the one hand the didactic treatment of an experiment, as well as indications for the methodical execution and of the industrial safety directions, and on the other hand it gives information about the theoretical basis of the reaction.

The didactic instructions in the experiment card index for the teachers are completed by sound aims of learning and are replaced by corresponding questions on the work sheet of the pupil.

The teacher is offered a card index of experiments which is combined with corresponding work sheets for the pupils and which, without exception, meets the demands of the Ministries of Education for more practice of the pupils.



The present omnibus volume which contains approximately 120 experiments was created by practical men for the practice. The following points are characteristic to this volume:

- Didactically selected and exhaustively described experiments for the teachers.
- With didactic remarks.
- With formulated aims of learning.
- Indication of the results of the tasks in the text for the teachers only.
- Closely coupled with own experiments for the pupil.
- With observation and transfer tasks for the pupil.

Textbook for the experimental chemistry instruction – complete card index of experiments, as well as corresponding work sheet for pupils per experiment.

Experiment with the SVS-combi-box, by Prof. Dr. E. Höfling, Prof. Dr. H. Menrad, Stud.-Dir. W. Obermeyer.

Type	8.100.000
------	-----------



Index.

A General and inorganic chemistry.

Section	Tests	Construction kit
A 1 Introduction into chemical working methods		
1.1	Sedimenting and decanting	1
1.2	Crystallizing	4
1.3	Drying	4
1.4	Filtration	
	1.4.1 Filtration under normal pressure	1
	1.4.2 Filtration under reduced pressure	2
1.5	Distillation	
	1.5.1 Distillation under normal pressure	1
	1.5.2 Distillation under reduced pressure	5
	1.5.3 Fractionated distillation under normal pressure	2
	1.5.4 Fractionated distillation under reduced pressure	4
	1.5.5 Fractionated rectification	2
1.6	Sublimation	2
1.7	Separation with separating funnel	2
1.8	Extraction	
	1.8.1 Shaking out	2
	1.8.2 Extraction acc. to Soxhlet	4
1.9	Heating on the reflux	3
1.10	Absorption	3
1.11	Determination of boiling-point	4
A 2 Laws in chemistry		
2.1	Law of the conservation of mass	1
2.2	Law of the constant proportions	1
2.3	Law of the multiple proportions	1
2.4	Reaction velocity	3
2.5	Chemical equilibrium	3
A 3 Air and oxygen		
3.1	Determination of the percentage of oxygen with copper	3
3.2	Determination of the percentage of oxygen with pyrogallol	3
3.3	Detection of carbon dioxide in the air	2
3.4	Production and properties of oxygen	1
3.5	Reactions in pure oxygen	3
A 4 Water and hydrogen		
4.1	Analysis of water with magnesium	1
4.2.1	Electrolysis of water with simple experimental arrangement	3
4.2.2	Electrolysis of water	3
4.3	Production and properties of hydrogen	3
4.4	Combustion of hydrogen	2
A 5 Metals		
5.1.1	Reduction of ferric oxide with hydrogen	1
5.1.2	Reduction of ferric oxide with carbon monoxide	3
5.2.1	From mercuric oxide to mercury	1
5.2.2	Analysis of silver oxide	2
5.3	Reaction of metals with acids	1
5.4	Corrosion of iron	2
A 6 Halogens and compounds of halogen		
6.1	Production and properties of chlorine	3
6.2	Production and properties of chlorhydric acid gas	4
6.3	Solubility of chlorhydric acid gas in water	3
6.4	Electrolysis of hydrochloric acid	3
6.5	Reaction of chlorine with sodium	1
A 7 Sulphur and sulphur compounds		
7.1	From sulphur to sulphurous acid	2
7.2	Roasting process	2
7.3	Production and properties of sulphur dioxide	1
7.4	Contact process	1
7.5	Production and properties of hydrogen sulphide	1
7.6	Reaction of hydrogen sulphide with heavy metal ions	2

Index Continuation. A General and inorganic chemistry.

Section	Tests	Construction kit
A 8 Nitrogen, phosphorous and their compounds		
8.1	Synthesis of ammonia acc. to Haber-Bosch	2
8.2	Production of ammonia out of ammonium salts	1
8.3	Solubility of ammonia in water	3
8.4	Quantitative determination of nitrogen in ammonium salts	4
8.5	Production of nitric acid out of nitrates	4
8.6	Combustion of ammonia acc. to Ostwald	4
8.7	Production and properties of nitrogen dioxide	1
8.8	Detection of white phosphorous acc. to Mitscherlich	1
A 9 Carbon and its compounds		
9.1	Production and properties of carbon dioxide	1
9.2	Carbon dioxide out of magnesium carbonate	1
9.3	Absorption of benzene and bromine on activated carbon	3
A 10 Protection of environment		
10.1	Detection of sulphur dioxide, during the combustion of fuel oil	2
10.2	Effect of sulphur dioxide on stones and metallic material	3
10.3	Washing out of sulphur dioxide with a calcium carbonate solution	2
10.4	Cleansing of oil-contaminated water	2
10.5	Combustion or decomposition of polyvinylchloride (PVC) respectively	2

B. Organic chemistry.

Section	Tests	Construction kit
B 1 Aliphatic hydrocarbons		
1.1	Detection of carbon and hydrogen in gaseous and liquid hydrocarbons	2
1.2	Detection of carbon and hydrogen in solid hydrocarbons	1,4
	Production and properties of methane	1.3
	1.3.1 out of aluminium carbide	1
	1.3.2 out of sodium acetate and sodium hydroxide	1
1.4	Fractionated distillation of petroleum	2
1.5	Production and properties of ethene	1
1.6	Production and properties of ethine	2
1.7	Formation of acetylide	2
1.8	Catalytic cracking and paraffin oil	2
B 2 Halogen alkanes		
2.1	Bromizing of hexane	4
2.2	Production of tri-iodine-methane (iodoform)	4
B 3 Alkanoles (Alcohols)		
3.1	Production of ethanol through fermentation of glucose	1
3.2	Reaction of ethanol with sodium (formation of alcoholate)	1
3.3	Alcohol test reaction	2
B 4 Alkanales (Aldehydes)		
4.1	Production of methanol out of methanol	2
4.2	Production of ethanol through dehydrogenation of ethanol	2
4.3	Addition of ammonia on ethanol	3
4.4	Reducing effect of the alkanales	2
4.5	Condensation reactions of the alkanales (aldehydes)	2
B 5 Alkanones (Ketones)		
5.1	Production of propanone (acetone)	2
5.2	Propanone as solvent	2
B 6 Alkane acids (Carbonic acids)		
6.1	Production and properties of formic acid	1
6.2	Production of acetic acid	2
	6.2.1 out of ethanol	2
	6.2.2 out of sodium acetate	2
6.3	Comparison of methane acid and ethane acid with regard to the reactivity with metals	4

B. Organic chemistry.

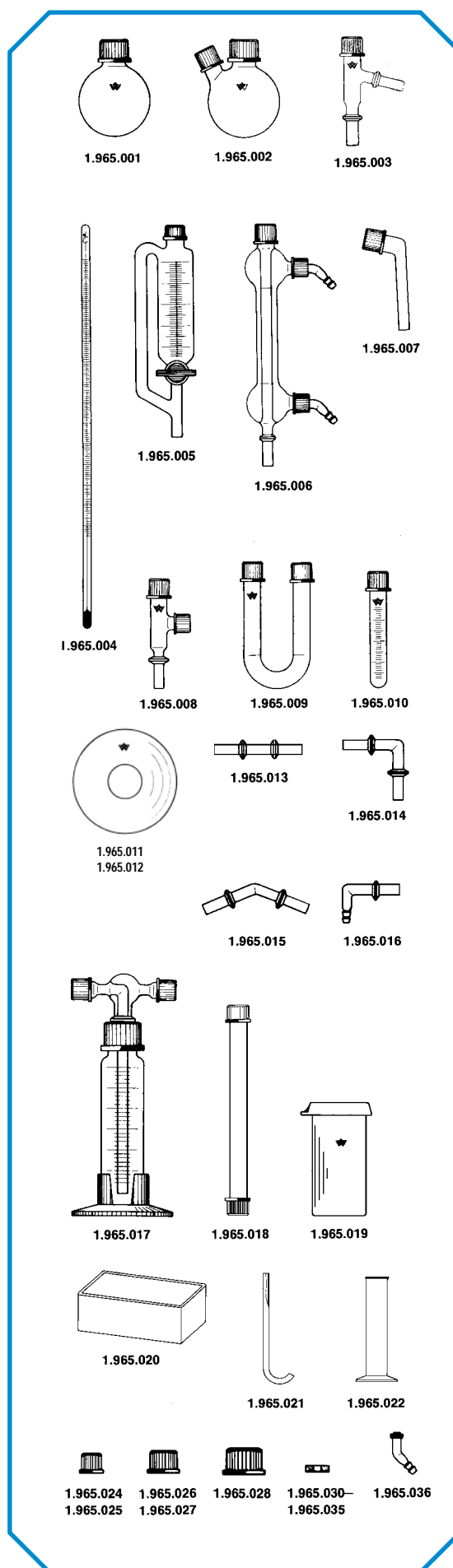
Section	Tests	Construction kit
B 7 Ester		
7.1	Production of ester	
	7.1.1 Production of acetic acid ethyl ester	2
	7.1.2 Production of boric acid trimethyl ester	1
7.2	Hydrolysis of acetic acid ethyl ester	4
7.3	Extraction of oil out of peanut kernels	4
7.4	Hydrolysis of fat	4
B 8 Ether		
8.1	Production of diethylether	1
8.2	Properties of diethylether	4
B 9 Benzene and derivates		
9.1	Bromizing of benzene	2
9.2	Nitration of benzene	2
9.3	Production of aniline	3
9.4	Production of bromine toluol	4
9.5	Production of benzyl bromide	4
9.6	Production of benzoic acid	2
9.7	Water vapour volatility of benzoic acid	1
B 10 Carbohydrates		
10.1	Hydrolysis of starch	2
10.2	Hydrolysis of cellulose	2
B 11 Dyes		
11.1	Di-acotation of aniline and coupling reactions	3
11.2	Production of fluoresceine	1
B 12 Plastics		
12.1	Vacuum deep-drawing technique	1
12.2	Polymerization of acrylic acid	1
12.3	Polymerization of acryl nitrile	4
12.4	Production of a polyacryl nitrile fibre	3
12.5	Depolymerization	4
12.6	Production and hardening of a resol	2

C. Special fields.

Section	Tests	Construction kit
C 1 Chromatography		
1.1	Chromatographic separation of chlorophylls	
	1.1.1 with aluminium oxide, calcium-carbonate and icing sugar	2
	1.1.2 with siliceous gel	2
1.2	Chromatographic separation of synthetic colourants	2
C 2 Diffusion und osmosis		
2.1	Diffusion of chlorhydric acid gas and ammonia	3
2.2	Osmosis	3
C 3 Exchange of ions		
3.1	Exchange of cations	2
3.2	Exchange of anions	2
3.3	Water softener	2

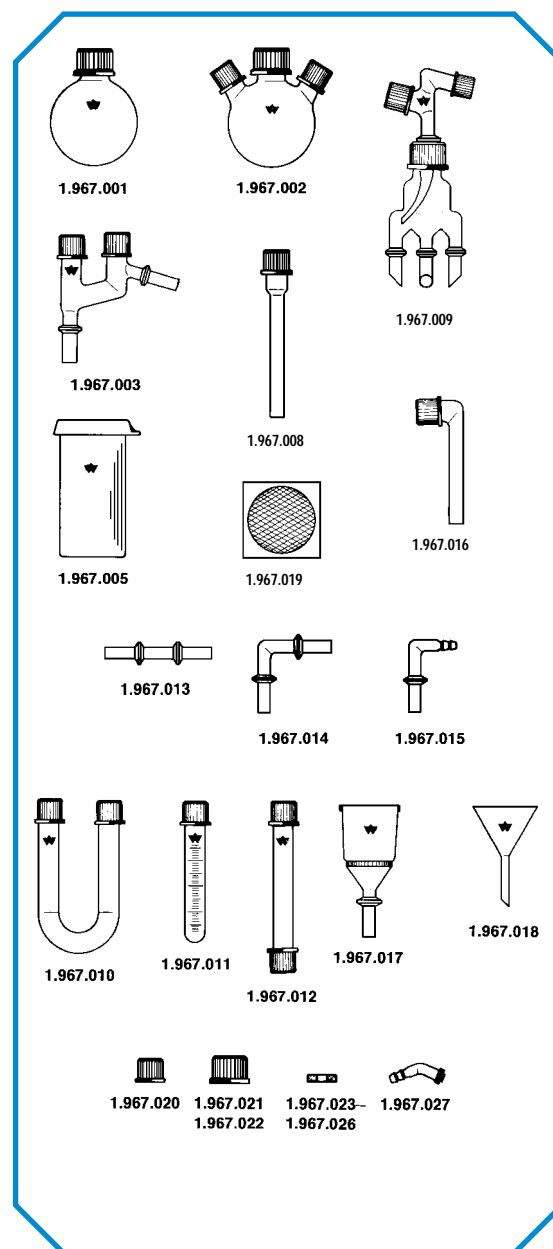
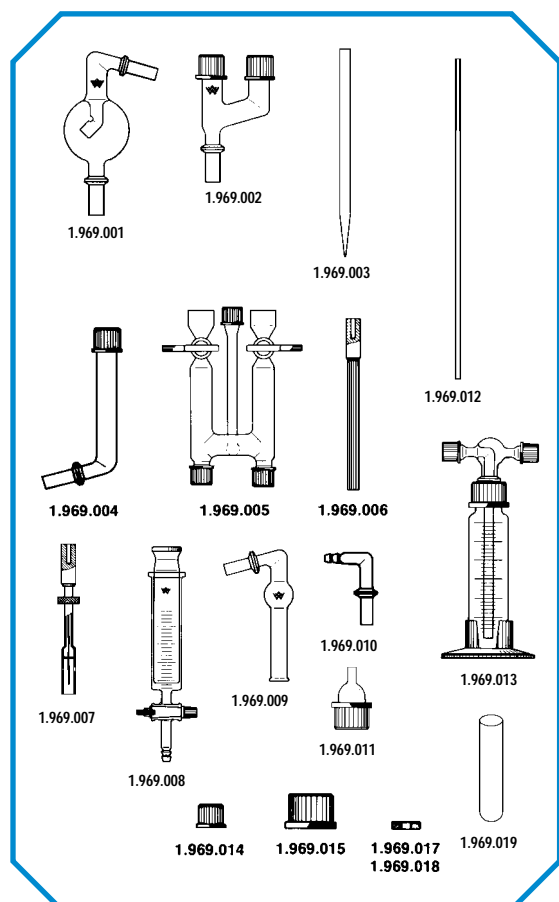

SVS-Combi-Box, Set 1, packed in 3 foam stuff beds and cardboard-box.

Type	
Complete	1.965.000
Spare parts:	
1 Flask, round bottom, 100 ml, mit GL 25/12	1.965.001
2 Flasks, 100 ml, center neck GL 25/12, side neck angled GL 18/10	1.965.002
1 Recovery head, 1 FA 12, 1 FA 10, 1 GL 18/6	1.965.003
1 Thermometer, solid stem -10 +250 °C: 1 °C	1.965.004
1 Dropping funnel with pressure equalizing, cylindrical, graduated ST-stopcock, 50 ml, 1 GL 18	1.965.005
1 Condenser, Liebig, 160 mm, 1 GL 18/10, 1 FA 10, 2 GL 14/6 with 2 hose connection made of polypropylene	1.965.006
1 Delivery adapter-Inlet tube, bent, 1 GL 18/10	1.965.007
1 Adapter, straight, with side tube, 1 GL 18/10, 1 FA 10, 1 GL 14/6	1.965.008
1 U-tube, 2 GL 18/10	1.965.009
2 Test tubes, graduated, 10 ml, 1 GL 18/10	1.965.010
2 Isoplan-safety discs, 19 mm bore (resistant up to 750 °C)	1.965.011
2 Isoplan-safety discs, 25 mm bore (resistant up to 750 °C)	1.965.012
2 Connection tubes, straight, 2 FA 10	1.965.013
1 Connection tubes, 90° bent, 2 FA 10	1.965.014
1 Connection tubes, 120° bent, 2 FA 10	1.965.015
1 Connection tubes, 90° bent, with hose connection, 1 FA 10	1.965.016
2 Wash bottles, graduated, 100 ml, with plastic-base, 1 GL 32/18, with head 2 GL 18/10	1.965.017
1 Reaction tube, 2 GL 25/10	1.965.018
1 Container filled with 40 boiling balls	1.965.019
1 Pneumatic tanks made of SAN, 2500 ml, 310 x 132 x 67 mm, with cover	1.965.020
1 Gas outlet tube, bent	1.965.021
1 Jars with ground cover 200 x 40 mm.	1.965.022
2 Screw caps, top with hole, GL 14	1.965.024
6 Screw caps, top with hole, GL 18	1.965.025
3 Screw caps, top with hole, GL 25	1.965.026
2 Screw caps, top with hole, GL 32	1.965.027
1 Screw caps, top closed, GL 18, with PTFE washer	1.965.028
1 Gasket, Silicone rubber, with PTFE washer 12 x 6 für GL 14, FA 6	1.965.030
1 Gasket, Silicone rubber, with PTFE washer 16 x 6 für GL 18, FA 6	1.965.031
6 Gaskets, Silicone rubber, with PTFE washer 16 x 10 für GL 18, FA 10	1.965.032
2 Gaskets, Silicone rubber, with PTFE washer 22 x 10 für GL 25, FA 10	1.965.033
2 Gaskets, Silicone rubber, with PTFE washer 22 x 12 für GL 25, FA 12	1.965.034
2 Gaskets, Silicone rubber, with PTFE washer 29 x 18 für GL 32, FA 18	1.965.035
2 Hose connection, bent, GL 14, made of polypropylene	1.965.036



SVS-Combi Box, Set 2, packed in 2 foam stuff beds and cardboard-box.

Type	
Complete	1.967.000
Spare parts:	
1 Flask, round bottom, 100 ml, GL 25/12	1.967.001
1 Flaks, 100 ml, center neck GL 25/12, two side necks angled GL 18/6-GL 18/10	1.967.002
1 Claisen head, 1 FA 12, 1 FA 10,	1.967.003
1 GL 18/10, 1 GL 18/6	
1 Fractionating columns, Hempel, 200 mm, 1 FA 12, 1 GL 25/12	1.967.004
1 Container filed with raschig rings 3 x 3 mm	1.967.005
1 Dropping funnel, cylindrical, graduated, ST-stopcock, 50 ml, 1 GL 18/10	1.967.006
1 Jacketed coil condenser, 200 mm, 1 GL 18/10, 1 FA 10, 2 GL 14/6 with 2 hose connection made of polypropylene	1.967.007
1 Delivery adapter-inlet tube, straight, 1 GL 18/10	1.967.008
1 Distilling receivers, Bredt, 1 GL 18/10, 1 GL 25/12, 1 GL 14/6 with 4 FA 10	1.967.009
1 U-tube, 2 GL 18/10	1.967.010
4 Test tubes, graduated, 10 ml, 1 GL 18/10	1.967.011
1 Reaction tube, small, 2 GL 18/10	1.967.012
1 Connection tube, straight 2 FA 10	1.967.013
1 Connection tube, 90° bent, 2 FA 10	1.967.014
1 Connection tube, 90° bent, with hose connection, 1 FA 10	1.967.015
1 Gas inlet tube, 1 GL 18/6	1.967.016
1 Filter funnel, 50 ml, porosity P 2, 1 FA 10	1.967.017
1 Funnel glass, 70 mm O. D.	1.967.018
1 Ceramic-plate 135 x 135 mm	1.967.019
2 Screw caps, top with hole, GL 14	1.967.020
8 Screw caps, top with hole, GL 18	1.967.021
2 Screw caps, top with hole, GL 25	1.967.022
1 Gasket, Silicone rubber, with PTFE washer 12 x 6 für GL 14, FA 6	1.967.023
1 Gasket, Silicone rubber, with PTFE washer 16 x 6 für GL 18, FA 6	1.967.024
8 Gaskets, Silicone rubber, with PTFE washer 16 x 10 für GL 18, FA 10	1.967.025
2 Gaskets, Silicone rubber, with PTFE washer 22 x 12 für GL 25, FA 12	1.967.026
2 Hose connection, bent GL 14, made of polypropylene	1.967.027


SVS-Combi-Box, Set 3, packed in 2 foam stuff beds and cardboard-box.

Type	
Complete	1.969.000
Spare parts:	
1 Spalsh head, bent 1 FA 12, 1 FA 10	1.969.001
1 Distilling head, 1 FA 12, 2 GL 18/10	1.969.002
1 Air leak tube, O. D. 10 mm	1.969.003
1 Adapter, bent 105°, 1 GL 18/10, 1 FA 10	1.969.004
1 Elektrolysis-apparatus, 2 GL 18/10	1.969.005
2 Coal-electrodes, O. D. 10 mm	1.969.006
2 Nickel-electrodes, O. D. 10 mm (On request we deliver platin-electrodes-against surcharge)	1.969.007
2 Gas syrinque with ST-stopcock, 100 ml	1.969.008
1 Drying tube, bent, 1 FA 10	1.969.009
1 Connection tube 90° bent, with hose connection, 1 FA 10	1.969.010
1 Screw-thread with glass part of osmosis apparatus, 1 GL 32/18	1.969.011
1 Capillary tube, I.D. 1 mm, length 500 mm	1.969.012
1 Wash bottle, graduated, 100 ml, with plastic base, 1 GL 32/18 with head 2 GL 18/10	1.969.013
4 Screw-caps, top with hole, GL 18	1.969.014
1 Screw-cap, top with hole, GL 32	1.969.015
4 Gaskets, Silicone rubber, with PTFE washer 16 x 10 für GL 18, FA 10	1.969.017
1 Gasket, Silicone rubber, with PTFE washer 29 x 18 für GL 32, FA 18	1.969.018
1 Test tube, Fiolax-glass, 30 x 200 mm	1.969.019

SVS-Combi-Box, Set 4, packed in 2 foam stuff beds and cardboard-box.

Type	
Complete	1.971.000
Spare parts:	
1 Flask, 100 ml, center neck GL 25/12, side neck angled, GL 18/10	1.971.001
1 Thermometer, solid stem, -10 +360 °C: 1 °C	1.971.002
1 Air leak tube, O. D. 10 mm	1.971.003
1 Gas inlet tube 1 GL 14/6	1.971.004
1 Soxhlet extractor, 30 ml capacity for extraction thimbles, 80 x 22 mm, 1 GL 32/10, 1 FA 12	1.971.005
3 Extraction thimbles for 30 ml extractor, 80 x 22 mm	1.971.006
1 Drying tube, straight, 1 GL 18/10, 1 FA 6	1.971.007
1 Drying tube, bent, 1 FA 10	1.971.008
1 Connection tube, bent 75°, 2 FA 10	1.971.009
1 Reaction tube, small 2 GL 18/10	1.971.010
1 Vacuum receivers, 2 GL 18/10, 2 GL 14/6 with 2 hose connections made of polypropylene	1.971.011
1 Manometer, mercury, with movable mirror glass scale, 1 FA 10	1.971.012
1 Tube with stopcock, filed with foam stuff, 1 FA 10	1.971.013
1 Filter pump made of polypropylene with built-in valve and 2 hose connections	1.971.014
1 Stirrer motor, 220 V, with holding rod and stirring blade	1.971.015
1 Wash bottle 100 ml, made of polyethylene	1.971.016
1 Funnel, 70 mm O. D. made of polyethylene	1.971.017
1 Beaker, low form, 600 ml, graduated	1.971.018
1 Beaker, tall form, 100 ml, graduated	1.971.019
2 Hose connection, bent, GL 14, made of polypropylene	1.971.020
2 Screw caps, top with hole, GL 14	1.971.021
4 Screw caps, top with hole, GL 18	1.971.022
1 Screw cap, top with hole, GL 25	1.971.023
1 Screw cap, top with hole, GL 32	1.971.024
2 Gaskets, Silicone rubber, with PTFE washer 12 x 6 für GL 14, FA 6	1.971.025
4 Gaskets, Silicone rubber, with PTFE washer 16 x 10 für GL 18, FA 10	1.971.026
1 Gasket, Silicone rubber, with PTFE washer 22 x 12 für GL 25, FA 12	1.971.027
1 Gasket, Silicone rubber, with PTFE washer 29 x 10 für GL 32, FA 10	1.971.028

